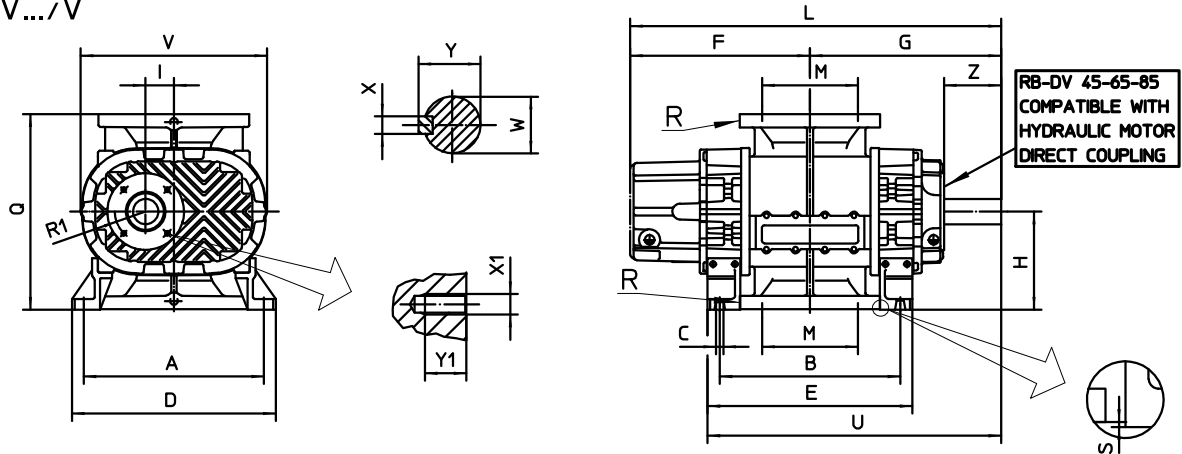
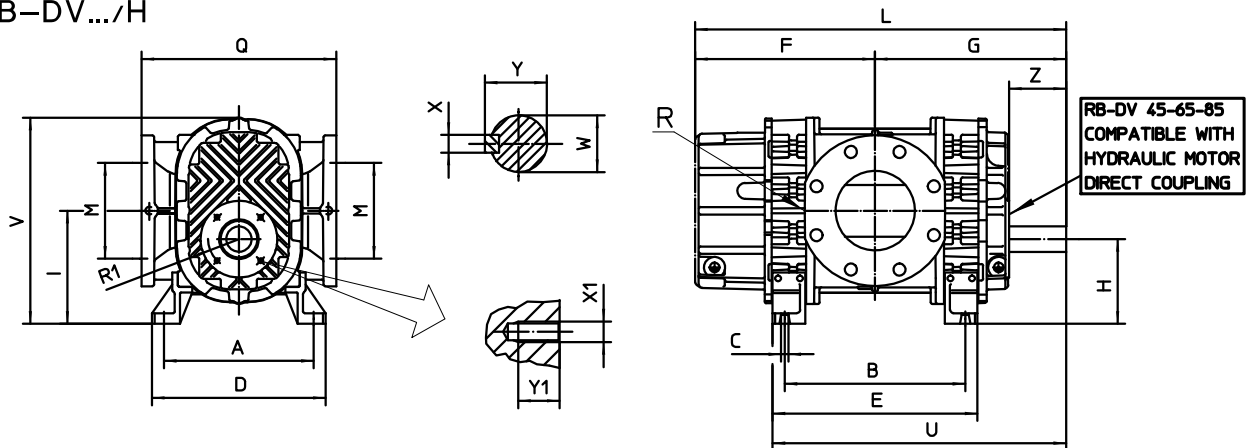


RB-DV.../V



Tipo Type	A	B	C	D	E	F	G	H -05	I	L	M	Q	S	U	V	W	Z	X	Y	R1	X1	Y1	Peso Weight (Kg)
RB-DV 45/V	295	275	12	331	311	273	295	160	42.5	568	80	319	1	452	295	38	80	10	41	50	4xM8	15	97
RB-DV 65/V	340	341	14	385	387	340	361	185	53.5	701	150	369	1	555	345	48	110	14	51.5	62.5	4xM10	15	160
RB-DV 85/V	370	431	18	420	482	405	423	225	67.5	828	150	449	1	665	415	55	110	16	59	70	4xM10	15	250
RB-DV 105/V	430	501	18	486	557	463	462	265	84	925	200	529	1	741	522	60	110	18	64				400
RB-DV 125/V	550	590	22	640	646	528	568	300	106	1096	250	599	1	891	618	70	140	20	74.5				605
RB-DV 145/V	680	747	26	770	805	641	695	360	135	1336	300	719	1	1098	790	85	170	22	90				1040

RB-DV.../H



Tipo Type	A	B	C	D	E	F	G	H -05	I	L	M	Q	U	V	W	Z	X	Y	R1	X1	Y1	Peso Weight (Kg)
RB-DV 45/H	266	275	12	302	311	273	295	132	175	568	80	318	452	320	38	80	10	41	50	4xM8	15	97
RB-DV 65/H	283	341	14	328	387	340	361	160	213	701	150	368	555	385	48	110	14	51.5	62.5	4xM10	15	160
RB-DV 85/H	325	431	18	375	482	405	423	180	247	828	150	448	665	455	55	110	16	59	70	4xM10	15	250
RB-DV 105/H	392	501	18	448	557	463	462	200	284	925	200	528	741	545	60	110	18	64				400
RB-DV 125/H	435	590	22	526	646	528	568	250	356	1096	250	598	891	670	70	140	20	74.5				605
RB-DV 145/H	570	747	26	640	805	641	695	280	415	1336	300	718	1098	815	85	170	22	90				1040

R Attacco manometro G 3/8"
R Manometer connection G 3/8"

Dimensione W con tolleranza m6
Dimension W with tolerance m6

Dimensioni flange Flanges dimensions	Foratura flange piane PN10 UNI 2236 o ANSI 125 FF Drilling for flat flanges UNI 2236 NP10 or ANSI 125 FF											
	M UNI PN10 DN	N	O	P	N. FORI Holes	M ANSI 125 FF inch	N	O	P	N. FORI Holes		
	80	160	200	18	4	3"	152.4	200	18	4		
	150	240.2	285	23	8	6"	240.2	285	23	8		
	200	296	340	23	8	8"	296	340	23	8		
	250	350	405	24	12	10"	362	405	24	12		
	300	400	475	24	12	12"	431.8	475	24	12		