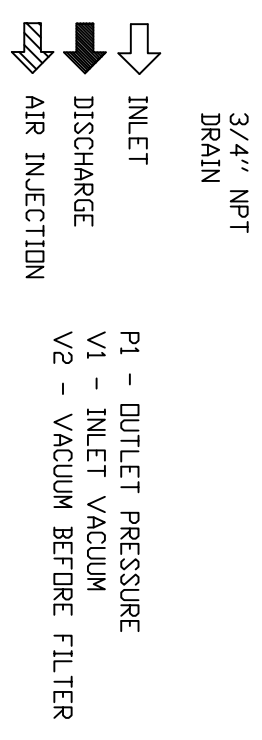
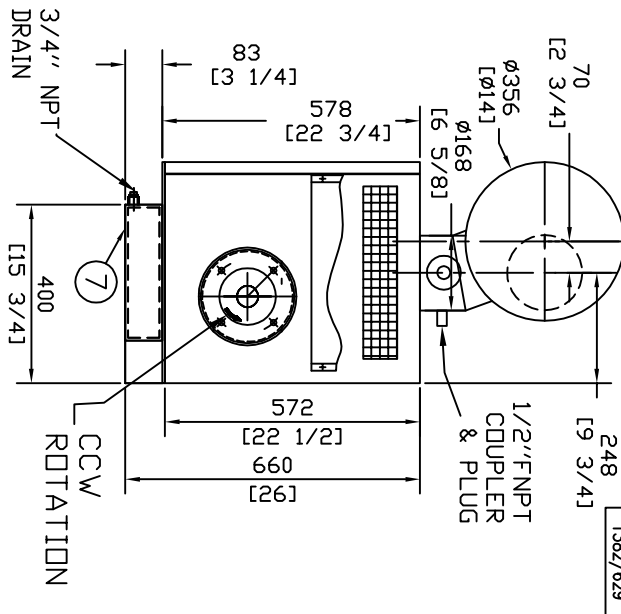


BILL OF MATERIALS		WEIGHT Lbs/Kg
1	1 RB-DV65/V MANIFOLD ( SP )	462/210
2	1 INLET FILTER - 6"	55 / 25
3	1 DISCHARGE SILENCER - ø14x39x6	242 / 110
4	2 CHECK VALVE-6"-Serie 518, EPDM	50 / 22.8
5	1 GRUYLOK TYPE VITALIC-6"(INSIDE)	11.8 / 5.4
6	1 HYDRAULIC ADAPTOR	29/14
7	1 INLET AIR CONDUIT	155 / 70
8	1 SUPPORT HSS3X3X1/4	150/68
9	1 ACOUSTICAL ENCLOSURE	140/64
10	1 4-WAY VALVE AND PIPING ASS'Y	72 / 33
11	1 RELIEF VALVE 2" -0496-87	8.4 / 3.81
-	1 SET 15 PSIG	
12	1 PRESSURE GAUGE	0.66/0.3
13	2 VACUUM GAUGE	0.66/0.3
14	1 SPOOL D.N.6" - 4"Lg.(INSIDE)	14 / 6.5
15	2 OIL LEVELS & WINDOWS	0.44 / 0.2
		1382/629



**PROPRIETARY NOTICE**  
 THIS DRAWING AND ALL THE INFORMATION THEREON IS THE PROPERTY OF "SUPRESSEUR 4S"  
 THIS DRAWING IS NOT TO BE COPIED OR USED FOR ANY PURPOSE EXCEPT BY WRITTEN CONSENT OF "SUPRESSEUR 4S"

**Supresseur 4S**  
 108, rue BEAUVAIS, DELSON (QUEBEC), J5B 1W8  
 TEL: (450) 638-9563, FAX: (450) 638-9562

**GENERAL ARRANGEMENT / RBDV-65**

CUSTOMER: - PROJECT #: -  
 DRAWN BY: V.B. CHECKED BY: D.L. DATE: 28.06.2012  
 SCALE: REF. - SHEET #: 1/1 DWDV\_65\_CCW\_6\_cr\_ho\_right 0 REV.