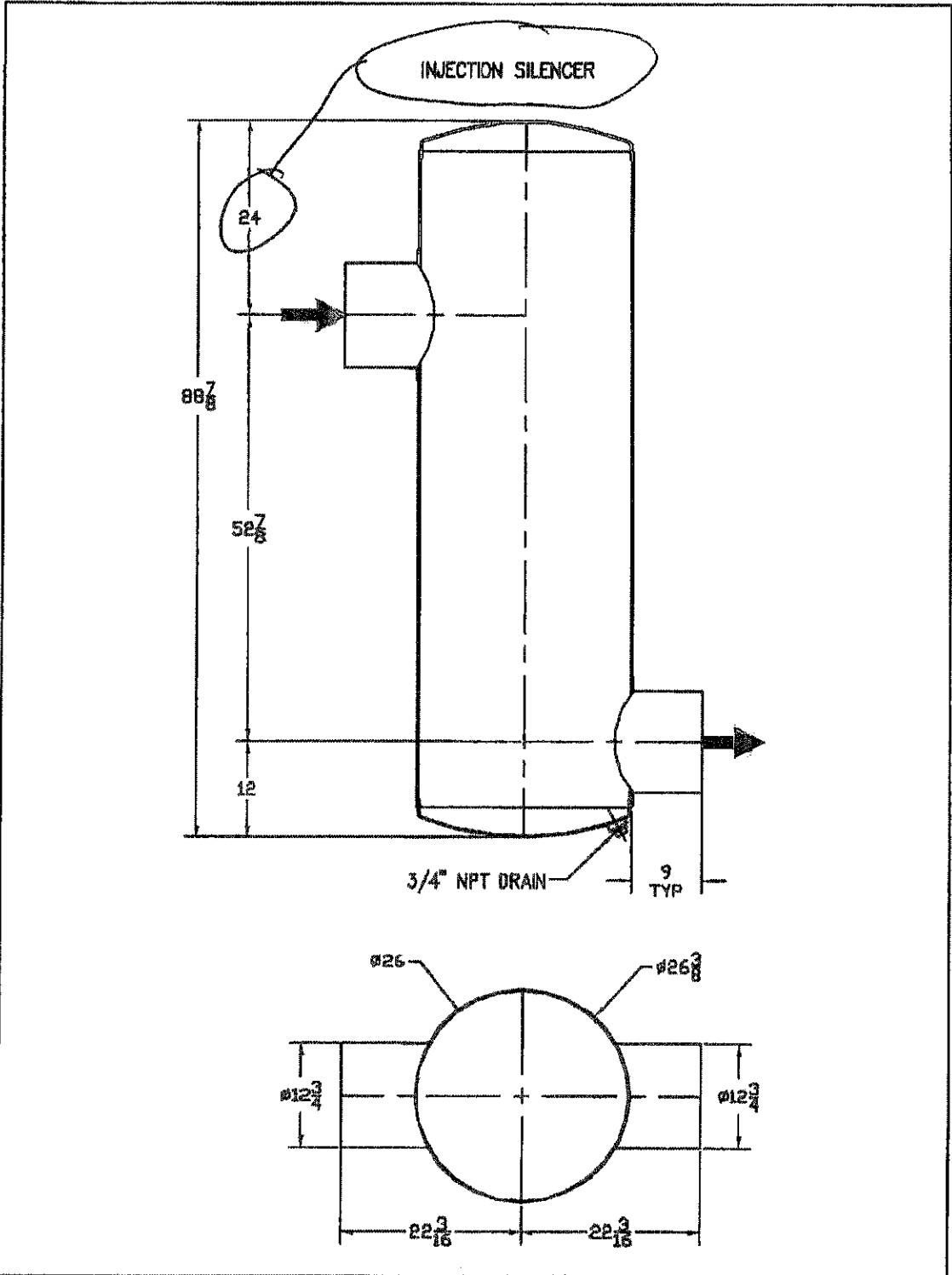
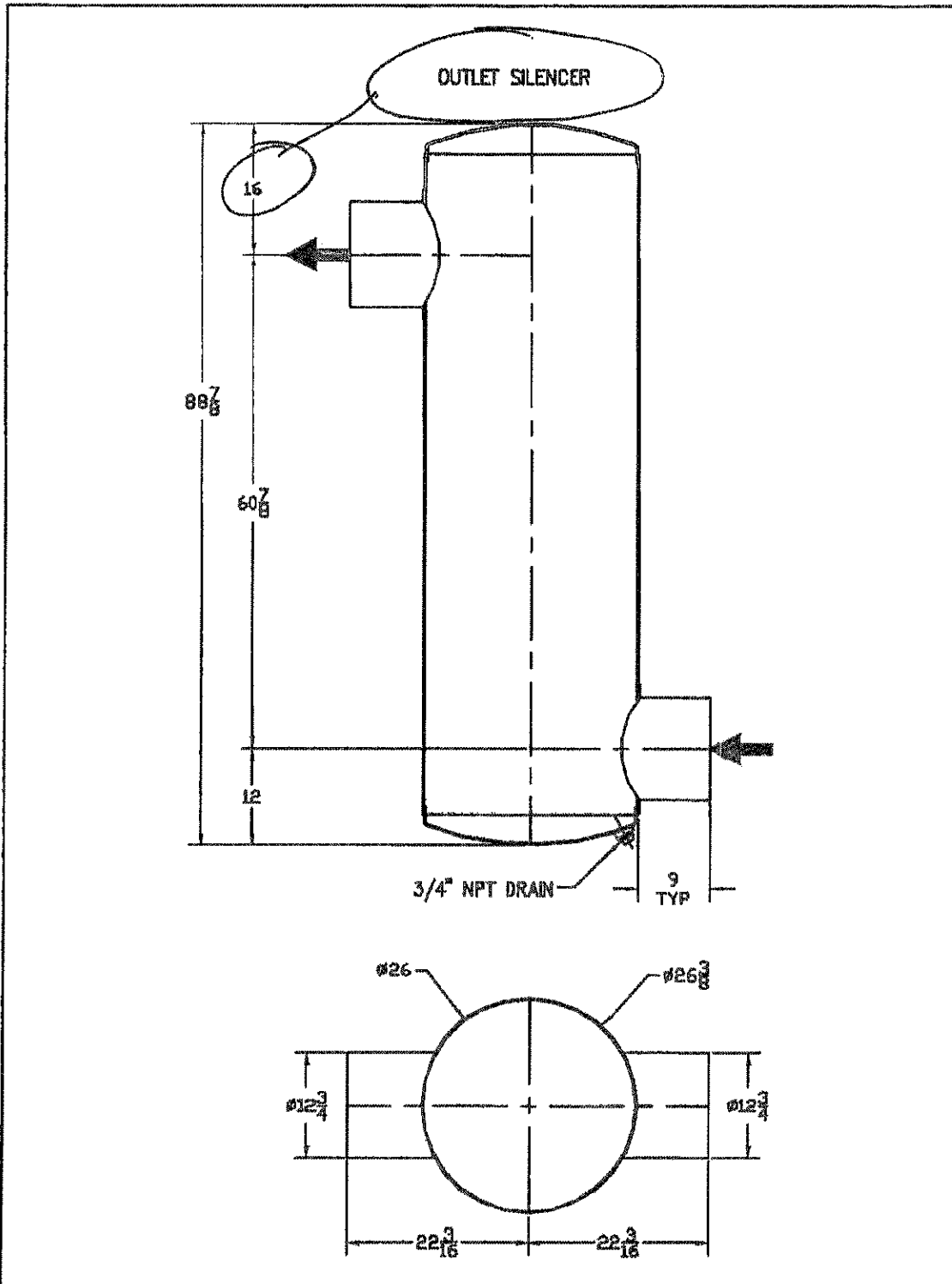


PROJECT:

DRAWN BY: B.V.		CHECKED BY: D.L.		DATE: 7.06.2007	
SCALE: 1/1		SHEET #: 1/1		DRAWING #RBDV145-GA	
TITLE: RB-DV-145 ASSEMBLY / GENERAL ARRANGEMENT / MANIFOLD SIDE		PROJECT #:			
CUSTOMER: -		PRODUCT #:			
<p>SURPRESSEUR 4S 108 BEAUVIS DELSON JB9 1WB TEL: (450) 638-9863 FAX: (450) 638-9562</p>					



NOTES: 1. DIMENSIONS ARE IN INCHES AND MILLIMETERS 2. STRUCTURAL SURFACES WILL BE CLEANED IN ACCORDANCE WITH SSPC-SP3 STANDARDS, FOLLOWED BY THE APPLICATION OF ONE COAT OF INDUSTRIAL PRIMER AND ONE COAT OF GRAY INDUSTRIAL ENAMEL. 3. SPECIFICATIONS SUBJECT TO CHANGE WITHOUT NOTICE	Surpresseur 4S 108, rue BEAUVINS, DELSON (QUEBEC), J5B 1Y8 TEL: (450) 638-8563, FAX: (450) 638-8562		
	TITRE: INJECTION SILENCER / RB-DV-145		
	CUSTOMER:		PROJECT NO.:
	DRAWN BY: B.V.	CHECKED BY: D.L.	DATE: 7.06.2007
PROJECT:	SCALE: 1"=1"	SHEET NO: 1 OF 1	DR-D NO: 512_26_B9_12"



NOTES: 1. DIMENSIONS ARE IN INCHES AND MILLIMETERS 2. STRUCTURAL SURFACES WILL BE CLEANED IN ACCORDANCE WITH SSPC-SP3 STANDARDS, FOLLOWED BY THE APPLICATION OF ONE COAT OF INDUSTRIAL PRIMER AND ONE COAT OF GRAY INDUSTRIAL ENAMEL. 3. SPECIFICATIONS SUBJECT TO CHANGE WITHOUT NOTICE.	Surpresseur 4S 108, RUE BEAUVAIS, DELSON (QUEBEC), J5B 1W8 TEL: (450) 638-8563, FAX: (450) 638-9562			
	TITRE: OUTLET SILENCER / RB-DV-145			
	DRAWN BY: B.V.		CHECKED BY: D.L.	
	PROJECT NO.		DATE: 7.06.2007	
PROJECT:	SCALE: 1"=1"	SHEET NO: 1 OF 1	DWT. NO: 50Z_26.89_12"	REV: 0