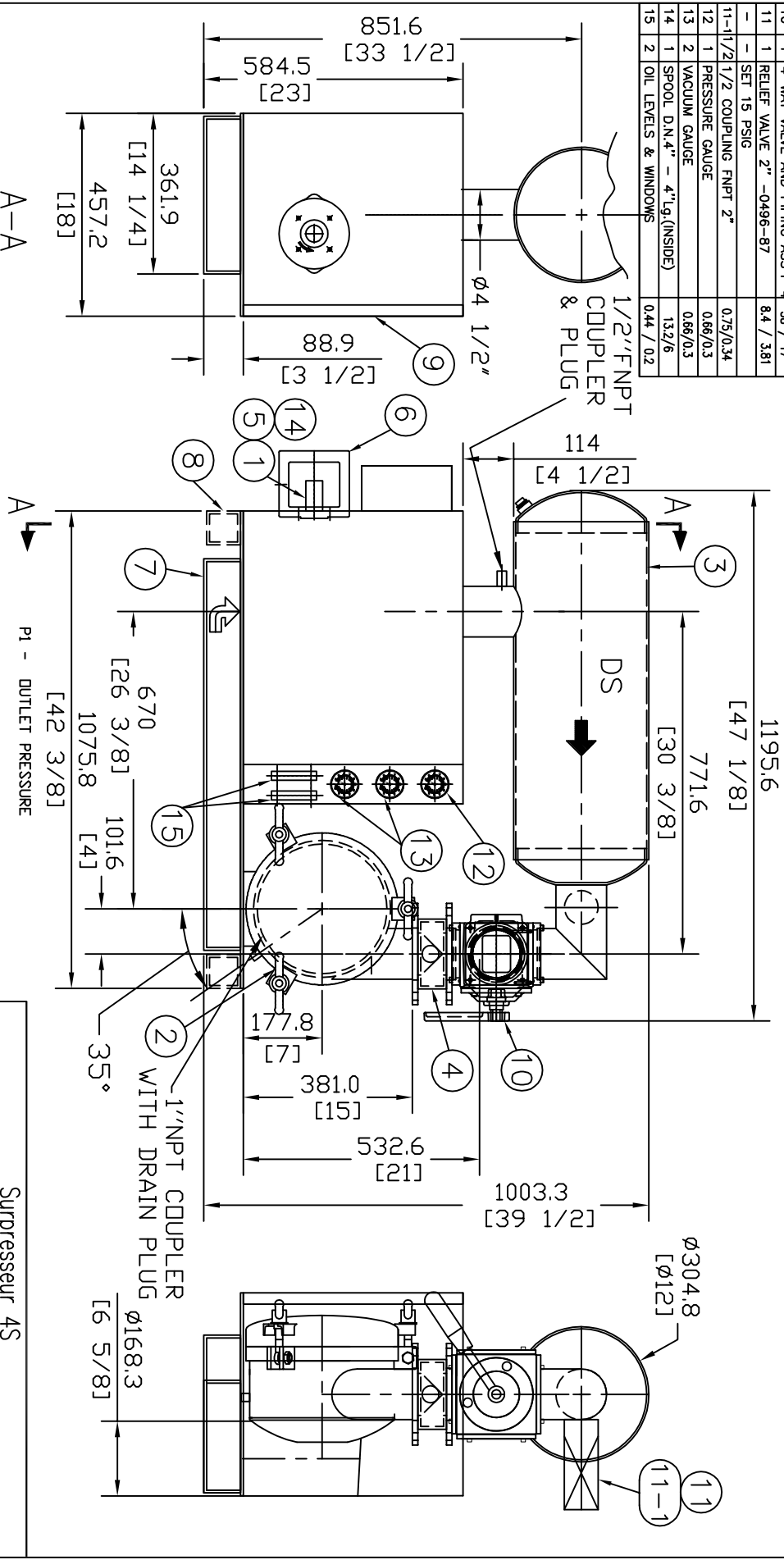


BILL OF MATERIALS		WEIGHT lbs/kg
1	RB-DV45/V MANIFOLD (SP)	301/137
2	INLET FILTER	55/25
3	DISCHARGE SILENCER- ϕ 12.35-4.5	140/64
4	4" CHECK VALVE	38/17
5	GRUWLOK TYPE VICTAULIC (INSIDE)	6.8/3
6	HYDRAULIC ADAPTOR	-
7	INLET AIR CONDUIT	132/60
8	SUPPORT HSS.3X3X1/4	BY CUSTOMER
9	ACOUSTICAL ENCLOSURE	77/35
10	4-WAY VALVE AND PIPING ASSY-4"	38 / 17
11	RELIEF VALVE 2" -0496-87	8.4 / 3.81
-	SET 15 PSIG	
11-1/2	1/2 COUPLING FNPT 2"	0.75/0.34
12	PRESSURE GAUGE	0.66/0.3
13	VACUUM GAUGE	0.66/0.3
14	SPOOL D.N.4" - 4"lg.(INSIDE)	132/6
15	OIL LEVELS & WINDOWS	0.44 / 0.2



PROPRIETARY NOTICE
 THIS DRAWING AND ALL THE INFORMATION THEREON IS THE PROPERTY OF "SURPRESSEUR 4S"
 THIS DRAWING IS NOT TO BE COPIED OR USED FOR ANY PURPOSE EXCEPT BY WRITTEN CONSENT OF "SURPRESSEUR 4S"



Surpresseur 4S
 108, rue BEAUVIENS, DELSON (QUEBEC), J8B 1W8
 TEL: (450) 638-9563 FAX: (450) 638-9562

TITLE: GENERAL ARRANGEMENT

CUSTOMER: PROJECT #:

DRAWN BY: V.B. CHECKED BY: D.L. DATE: 12.12.2012

SCALE: REF: - SHEET #: 1/1 DRAWING #: DLDV-4S-CCW-4" cr J10 REV: 4