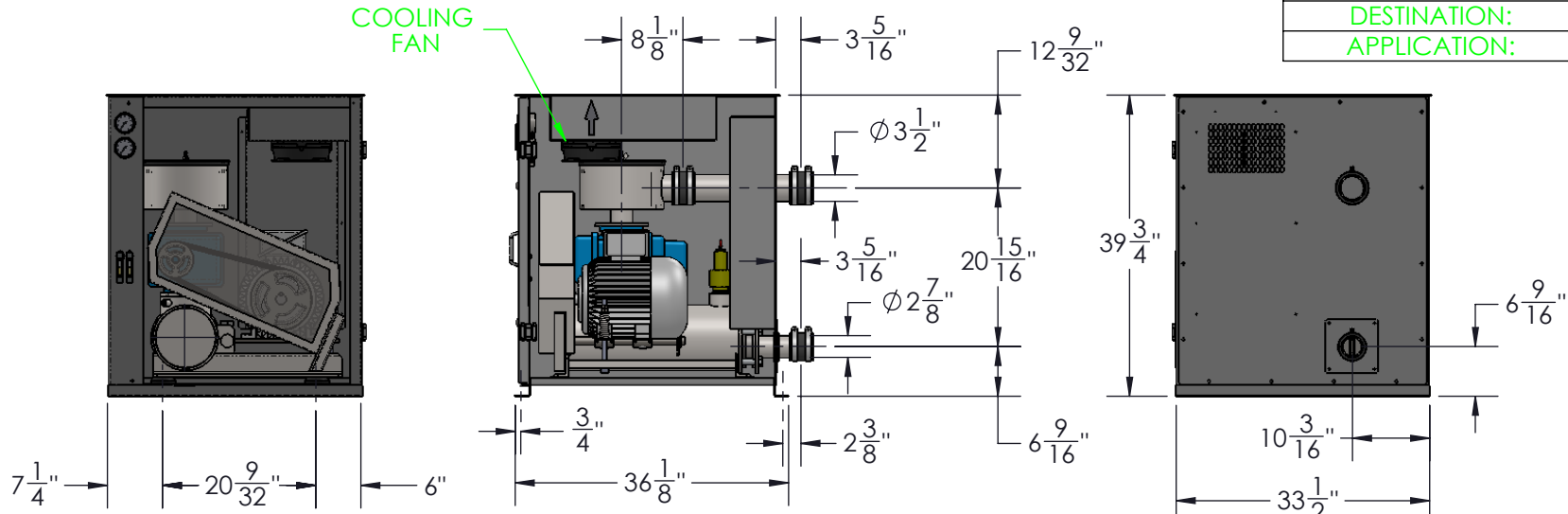


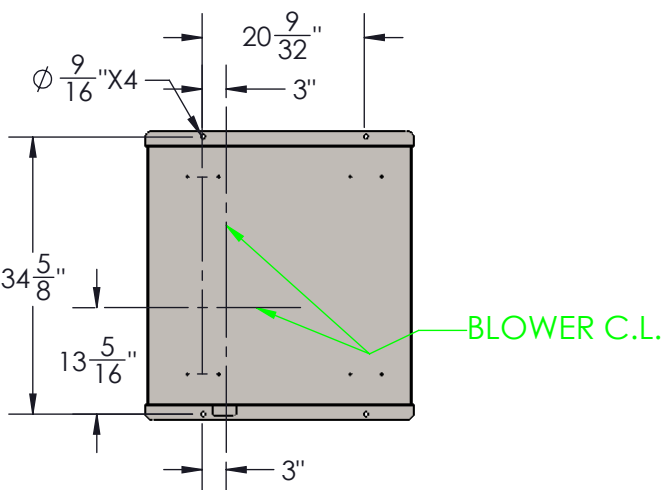
OUR WORK ORDER No.	--
CUSTOMER:	--
CUSTOMER ORDER:	--
PROJECT:	--
DESTINATION:	--
APPLICATION:	--



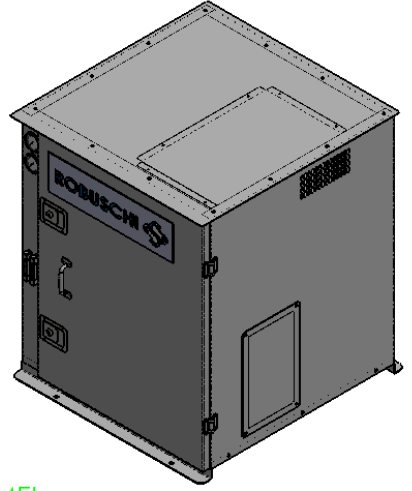
**FRONT VIEW**

**RIGHT VIEW**

**BACK VIEW**



**BOTTOM VIEW**



**ISO VIEW**

1. DIMENSIONS ARE IN INCHES AND MILLIMETERS AND ARE SUBJECT TO CHANGE WITHOUT NOTICE.
2. ITEMS IN DOTTED LINES ARE SUPPLIED BY OTHERS.
3. DN1, DN2 (IPS-CD40).
4. \* APPROXIMATED WEIGHT LESS MOTOR-572 LBS./ 260 KG..
5. STRUCTURAL SURFACES WILL BE CLEANED IN ACCORDANCE WITH SSPC-SP3 STANDARDS, FOLLOWED BY THE APPLICATION OF ONE COAT OF GLOSS ENAMEL EUCALYPTUS GREEN MET (BRAND CODE: 47122, CODE OEM: 235, 235B).
6. INCLUDE A GROUNDING LUG SUITABLE FOR 4/0 CABLE.

Référence / References : --

Trailer par / Process by : ASSE

Poids / Weights : --



TOLÉRANCES GÉNÉRALES, SAUF INDICATION CONTRAIRE  
GENERAL TOLERANCES, UNLESS NOTED OTHERWISE

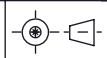
IMPÉR.	MÉTR.
FRACTION: ±1/16"	±2.0mm
DECIMAL/DECIMAL: ±0.015"	±0.5mm
ANGULAIRE/ANGLE: ±1°	±1°

CE DESSIN EST LA PROPRIÉTÉ EXCLUSIVE DE SUPRESSEUR 4S  
THIS DRAWING IS THE EXCLUSIVE PROPERTY OF SUPRESSEUR 4S

CONCEPTEUR / DESIGNER V.B.	DATE 2014/10/29
VERIFIE PAR / CHECKED BY D.L.	DATE 2014/10/29
ECHELLE / SCALE: 1:24	FORMAT A

Description :  
ROBOX-1 / ACOUSTICAL ENCLOSURE  
ENCEINTE ACOUSTIQUE

101, DE L'ISERE CANDIAC, QUÉ. CANADA  
J5R 0M6, TEL.: 450-619-6363, FAX.: 450-619-9696



DESSIN NO / DRAWING NO :  
**EL\_ES\_25\_1P**

FEUILLE SHEET  
1/3

Rev  
**0**