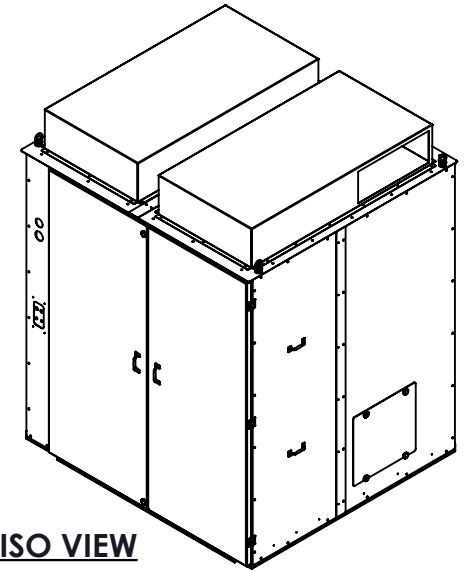
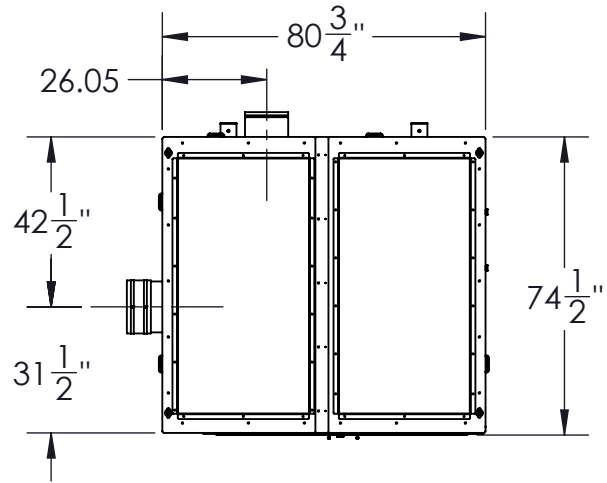
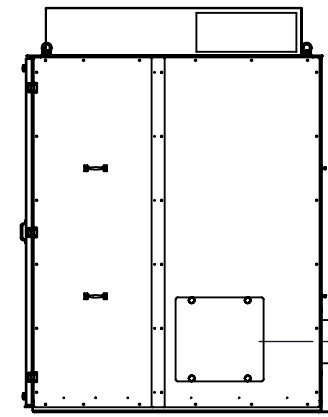
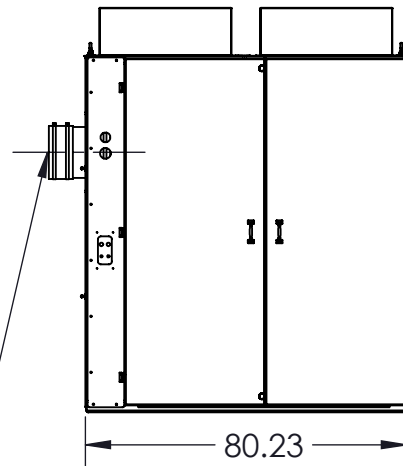
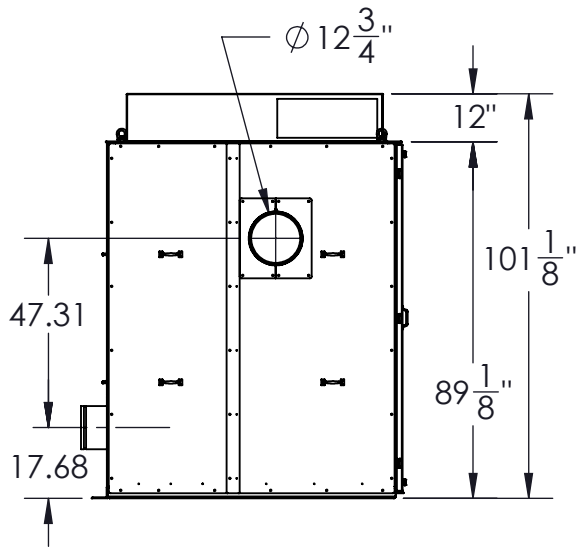


OUR WORK ORDER No.	MG-11299-15
CUSTOMER:	Don Bourgeois & Fils
CUSTOMER ORDER:	--
PROJECT:	--
DESTINATION:	--
APPLICATION:	--





ISO VIEW



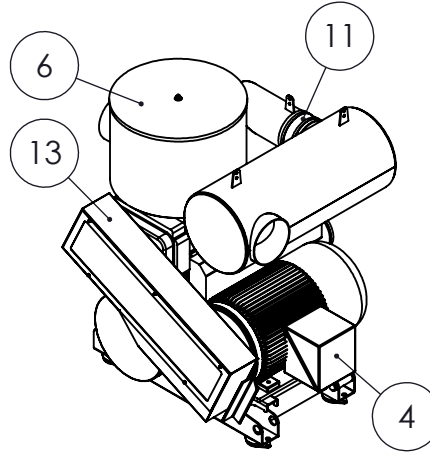
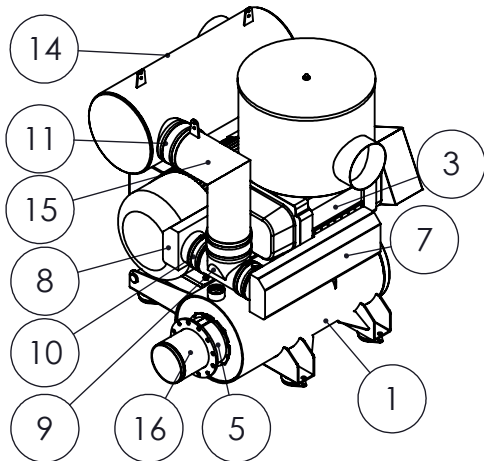
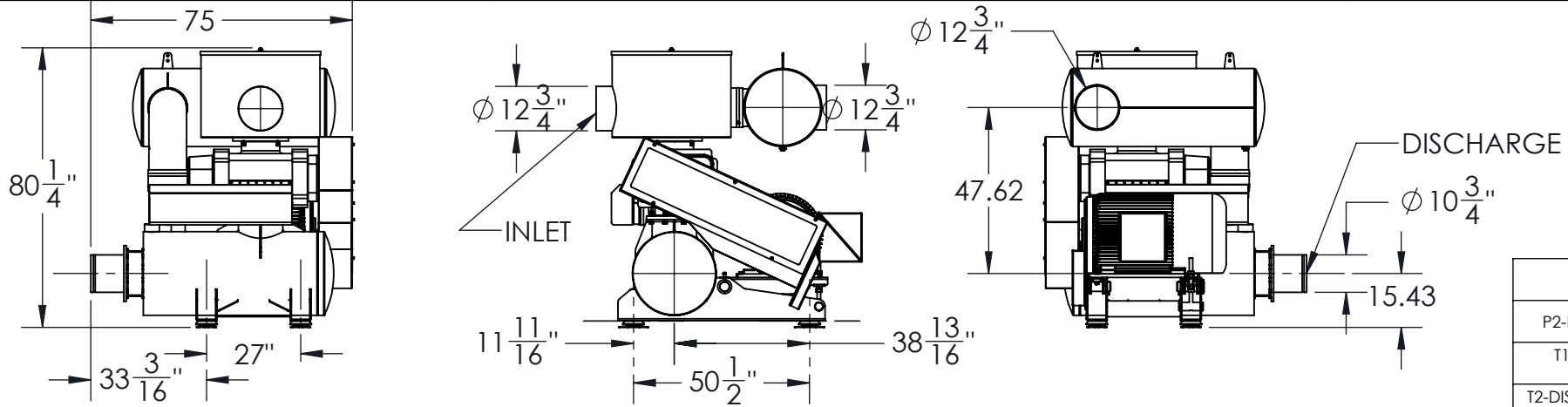
DISCHARGE

**NOTES:**

1. DIMENSIONS ARE IN INCHES AND MILLIMETERS AND ARE SUBJECT TO CHANGE WITHOUT NOTICE.
2. ITEMS IN DOTTED LINES ARE SUPPLIED BY OTHERS.
3. DN1, DN2 (IPS-CD40).
4. \* APPROXIMATED WEIGHT 8600 LBS./ 3910 KG..
5. STRUCTURAL SURFACES WILL BE CLEANED IN ACCORDANCE WITH SSPC-SP3 FOLLOWED BY THE APPLICATION OF ONE COAT OF GLOSS URETHANE ROYAL BLEU (BRAND CODE:114023 CPC).
6. FAN P 18-RA, MOTOR 3/4 HP, 120/1/60.
7. INCLUDE A GROUNDING LUG SUITABLE FOR 4/0 CABLE.


	TOLÉRANCES GÉNÉRALES, SAUF INDICATION CONTRAIRE GENERAL TOLERANCES, UNLESS NOTED OTHERWISE	CE DESSIN EST LA PROPRIÉTÉ EXCLUSIVE DE SURPRESSEUR 4S THIS DRAWING IS THE EXCLUSIVE PROPERTY OF SURPRESSEUR 4S		DESCRIPTION : ROBOX-4 DV ES_EL_125 / 4 DV-200HP	
	IMPÉRIAL    MÉTRIQUE FRACTION: $\pm 1/16"$ $\pm 2.0\text{mm}$ DECIMAL/DECIMAL: $\pm 0.015"$ $\pm 0.5\text{mm}$ ANGULAIRE/ANGLE: $\pm 1^\circ$ $\pm 1^\circ$	CONCEPTEUR / DESIGNER VB	DATE 22.01.2016	VERIFIÉ PAR / CHECKED BY D.L.	DATE 28.01.2016
	ECHELLE / SCALE: 1:48	FORMAT A	DESSIN NO / DRAWING NO : <b>ES_EL_125_200HP_4DV</b>		
Référence / References : --	Traiter par / ASS Process by :	Poids / Weights : 8600		FEUILLE SHEET 1/2	Rev <b>0</b>

ITEM NO.	PART NUMBER	DESCRIPTION	MATERIAL	WEIGHT	QTY.
1	BASE_SILENCER_R4_DN10-10	BASE SILENCER / BASE INCORPORANT LES SILENCIEUX DE REFOULEMENT_R4	PLAIN CARBON STEEL	1107.04	1
2	BSB-150_60Sh	PLOT ANTI-VIBRATION / VIBRATION ISOLATOR BSB 150/60Sh	RUBBER	1.01	4
3	RBDV125-BODY	BLOWER /SURPRESSEUR RBDV-125_V	CAST IRON	1341.54	1
4	447T_TEFC_F3	MOTOR 447T, 200HP, TECO	CAST IRON	2131.51	1
5	10in.Check Valve(Technocheck)	CHECK VALVE/CLAPET ANTI-RETOUR-DN10"	CAST IRON	86.89	1
6	SPF_250_4	INLET FILTER-SILENCER/FILTRE-SILENCIEUX D'ASPIRATION	Plain Carbon Steel	48.03	1
7	MBS_125_RS_41_c	MANIFOLD	Plain Carbon Steel	147.35	1
8	MTS_125_RS_41_c	MANIFOLD	Plain Carbon Steel	147.45	1
9	MCS_125_8x10x17LG-1	MANIFOLD CENTER SECTION	Plain Carbon Steel	37.99	1
10	8.625in_Flex.con.&clam_4LG	DN8x4LG EXPANSION JOINT & CLAMPS HS152	EPDM	3	2
11	10.75in_Flex.con.&clam	EXPANSION JOINT/FLEXIBLE 10 3/4 (2XCLAMPS/COLLETS-HS188)	EPDM	7.5LBS	2
12	D_10_R4_ASS_200HP	PLATE_SUPPORT_MOTOR 449T / 200HP_ASS	Plain Carbon steel	224.67	1
13	GUARD_R4_DV_ASS	SAFETY GUARD / GARDE DE SECURITE	Plain Carbon Steel	89.05	1
14	SIZ_22.58_10_12_SX_SP	INJECTION SILENCER / SIZ_2.58_10_12	Plain Carbon Steel	264	1
15	P1_SIZ_RBDV125_ASS.SLDPRT	ELBOW 90 DEG. DN 10" CED20	Plain Carbon Steel	85	1
16	SPOOL_DN10_10LG_GLV	SPOOL10 3/4"XRD1@Annotations@PIPE_DN8_10.125LG_GLV.moPart_c.LG.	Plain Carbon Steel	40.48	1



P1-INLET PRESSURE
P2-DISCHARGE PRESSURE
T1-INLET TEMPERATURE (OPTIONAL)
T2-DISCHARGE TEMPERATURE (OPTIONAL)

BLOWER		ELECTRIC MOTOR		V-BELT DRIVE
TYPE EL125/4C	MODEL RBDV125	MANUFACTURER: TECO		BLOWER SHEAVE:8-5V10.9
CAPACITY ----	(CFM)	TYPE: TEFC	/ FRAME: 447T	BUSHING MODEL: FX-70MM
POWER ----	(KW)	POWER 200	(HP)	MOTOR SHEAVE: 8-5V13.2
SPEED 2150	(RPM)	SPEED 1770 (RPM)	/ POLES 4	BUSHING MODEL: FX3-3/8
--		ELECTRICAL SUPPLY 575/3/60		V-BELT: 8-VB5VX1150
PACKAGE WEIGHT LESS MOTOR 3650 (lbs) / 1660 (kg)		MOTOR WEIGHT 2125 (lbs) / 966 (kg)		C.D. 38.6"



**SURPRESSEUR 4S**

TOLERANCES GÉNÉRALES, SAUF INDICATION CONTRAIRE  
GENERAL TOLERANCES, UNLESS NOTED OTHERWISE

IMPÉR. MÉTR.    ±1/16"    ±2.0mm  
DECIMAL/DECIMAL: ±0.015"    ±0.5mm  
ANGULAIRE/ANGLE: ±1°    ±1°

CE DESSIN EST LA PROPRIÉTÉ EXCLUSIVE DE SURPRESSEUR 4S  
**THIS DRAWING IS THE EXCLUSIVE PROPERTY OF SURPRESSEUR 4S**

CONCEPTEUR / DESIGNER VB	DATE AA/MM/JJ
VERIFIE PAR / CHECKED BY D.L.	DATE 28.01.2016
ECHELLE / SCALE: 1:48	FORMAT A

Description :  
--  
--  
--