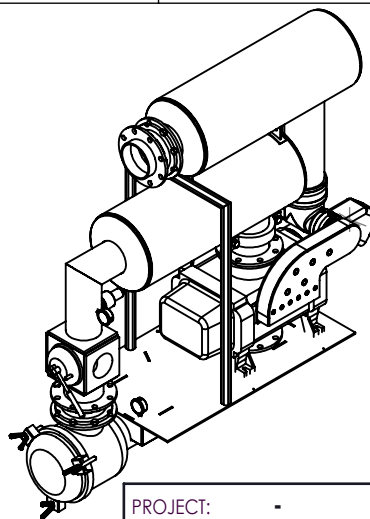
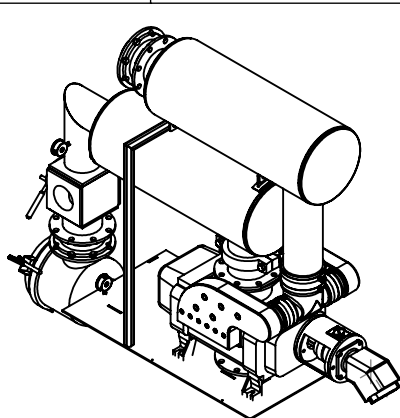


SURPRESSEUR 4S 101 DE L'ISERE CANDIAC QC. J5R 0M6 TEL:(450) 619-6363, FAX: (450) 619-9696			
TITLE: RBDV-85_cab_IS_DS / GENERAL ARRANGEMENT			
CUSTOMER: -		PROJECT: -	
DRAWN BY: B.V.	CHECKED BY: D.L.	DATE: 25.08.2014	
SCALE: REF.1 : 24	SHEET #: -	DRAWING #: DLDV85_cab_IS_DS	REV: 0

PROPRIETARY NOTICE
THIS DRAWING AND ALL THE INFORMATION THEREON IS THE PROPERTY OF "SURPRESSEUR 4S".
THIS DRAWING IS NOT TO BE COPIED OR USED FOR ANY PURPOSE EXCEPT BY WRITTEN CONSENT OF "SURPRESSEUR 4S".

PROJECT: -

ITEM NO.	DESCRIPTION	MATERIAL	WEIGHT	QTY.
1	BLOWER RBDV85_V_CCW	Cast Iron	550	1
2	MANIFOLD RIGHT SECTION	Plain Carbon Steel	6.68	1
3	MANIFOLD LEFT SECTION	Plain Carbon Steel	6.68	1
4	MANIFOLD CENTER SECTION	Plain Carbon Steel	13.75	1
5	INLET AIR CONDUIT	Plain Carbon Steel	562.2	1
6	INJECTION SILENCER	Plain Carbon Steel	180	1
7	DISCHARGE SILENCER	Plain Carbon Steel	180	1
8	SPOOL DN6X4LG	Plain Carbon Steel	12.8	1
9	SPOOL DN6X2LG	Plain Carbon Steel	3.8	1
10	SPOOL DN6X4LG.	Plain Carbon Steel	12.79	1
11	COUPLING	Plain Carbon Steel	17.34	1
12	PRESSURE GAUGE 30"-0&0+30 PSIG	AISI 316 Tôle d'acier inoxydable (SS)	0.66	1
13	VACUUM GAUGE 30"-0&0+30 PSIG	AISI 316 Tôle d'acier inoxydable (SS)	0.66	1
14	PRESSURE RELIEF VALVE SET 10PSIG	Brass	3	1
15	CHECK VALVE DN6	Cast Iron	22.00	2
16	4-WWY VALVE & PIPING ASS'Y	Cast Iron	49/22	1
17	HYDRAULIC ADAPTOR RB-DV-65	Cast Iron	23.13	1
18	HYDRAULIC MOTOR	Cast Iron	33	1
19	GRUVLOK TYPE VICTAULIC	STEEL	11.8/5.4	1
20	EXPANSION JOINT ID4 1/2, CLAMPS HS 80	Rubber	1.09	2
21	EXPANSION JOINT ID6 5/8 CLAMPS HS 116	Rubber	3.5	1
22	SUPPORT	HSS 1 1/2 X1 1/2 X 1/4	24.8	1



SURPRESSEUR 4S 101 DE L'ISERE CANDIAC QC. J5R 0M6 TEL:(450) 619-6363, FAX: (450) 619-9696			
TITLE: RBDV-85_cab_IS_DS / GENERAL ARRANGEMENT			
CUSTOMER: -		PROJECT: -	
DRAWN BY: B.V.	CHECKED BY: D.L.	DATE: 25.08.2014	
SCALE: REF.1 : 32	SHEET #: -	DRAWING #: DLDV85_cab_IS_DS	REV: 0

PROPRIETARY NOTICE
THIS DRAWING AND ALL THE INFORMATION THEREON IS THE PROPERTY OF "SURPRESSEUR 4S".
THIS DRAWING IS NOT TO BE COPIED OR USED FOR ANY PURPOSE EXCEPT BY WRITTEN CONSENT OF "SURPRESSEUR 4S".

PROJECT: -