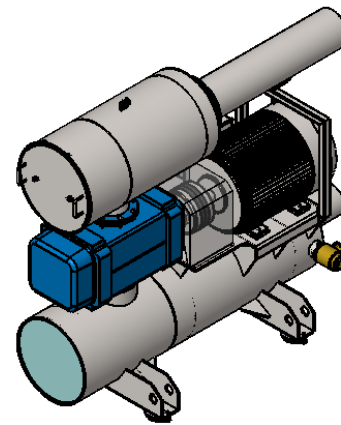
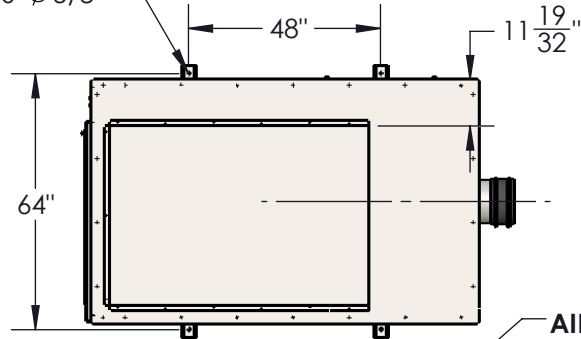
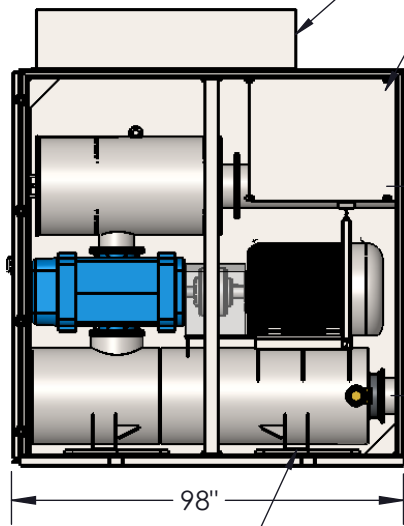
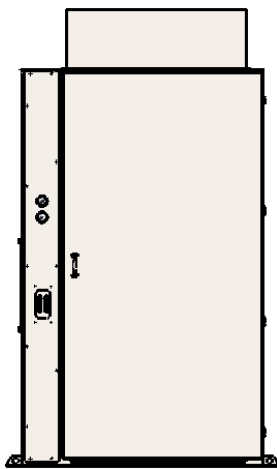


$\varnothing \frac{11}{16}$ " - FOR HILTI TYPE
ANCHOR BOLTS $\varnothing 5/8$ "



OUR WORK ORDER No.	-
CUSTOMER:	-
CUSTOMER ORDER:	-
PROJECT:	-
DESTINATION:	-
APPLICATION:	H2O



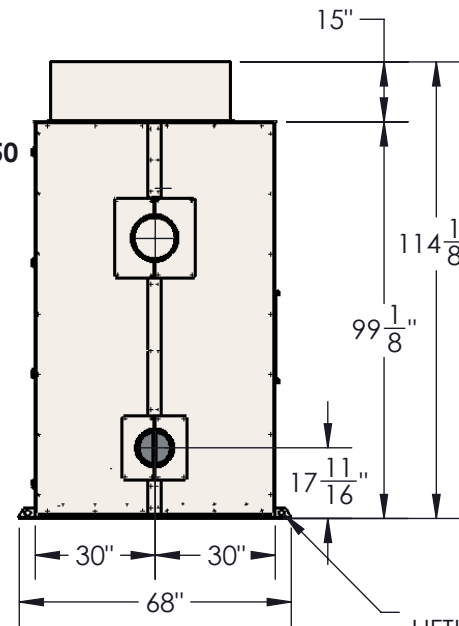
AIR VENTILATION
OUTLET
AIR VENTILATION
INLET

BLOWER
AIR INLET
DN10 ANSI 150

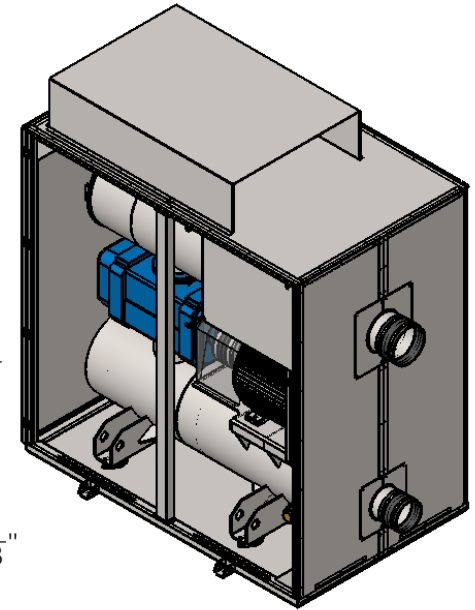
$\varnothing 10 \frac{3}{4}$ "
 $\varnothing 8 \frac{5}{8}$ "

BLOWER AIR
DISCHARGE
DN8 ANSI 150

GROUNDING LUG





$\varnothing 1 \frac{1}{2}$ "
LIFTING LUGS



ISO VIEW

1. DIMENSIONS ARE IN INCHES.
2. ITEMS IN DOTTED LINES ARE SUPPLIED BY OTHERS.
3. DN1, DN2 (IPS-CD40).
4. * APPROXIMATED WEIGHT-9460LBS./ 4300 KG.
5. STRUCTURAL SURFACES & ENCLOSURE WILL BE CLEANED IN ACCORDANCE WITH SSPC-SP3 STANDARDS, FOLLOWED BY THE APPLICATION OF ONE COAT OF GREEN INDUSTRIAL ENAMEL.
6. 1M CLEARANCE BETWEEN 2 PACKAGES AND 1.5M AROUND BOTH UNITS FOR MAINTENANCE ACCESS IS RECOMMENDED.
7. INCLUDE A GROUNDING LUG SUITABLE FOR 4/0 CABLE.

 SURPRESSEUR 4S	TOLERANCES GÉNÉRALES, SAUF INDICATION CONTRAIRE GENERAL TOLERANCES, UNLESS NOTED OTHERWISE	CE DESSIN EST LA PROPRIÉTÉ EXCLUSIVE DE SURPRESSEUR 4S THIS DRAWING IS THE EXCLUSIVE PROPERTY OF SURPRESSEUR 4S	Description : ROBUSCHI PACKAGE DIRECT DRIVE ES-115-4C, MOTOR 125HP --	
	IMPER. MÉTR. FRACTION: $\pm 1/16"$ $\pm 2.0mm$ DÉCIMAL/DÉCIMAL: $\pm 0.015"$ $\pm 0.5mm$ ANGULAIRE/ANGLE: $\pm 1^\circ$ $\pm 1^\circ$	CONCEPTEUR / DESIGNER VB DATE 23.11.2015 VÉRIFIÉ PAR / CHECKED BY D.L. DATE 23.11.2015 ECHELLE / SCALE: 1:48 FORMAT A		
	101, DE L'ISERE CANDIAC, QUÉ. CANADA JSR 0M6, TEL.: 450-619-6363, FAX.: 450-619-9696		DESSIN NO / DRAWING NO : ES_EL_115_125HP_4C_DD_01-4082	FEUILLE SHEET 1/1

Référence / Reference : --

Traiter par / Process by : ASS

Poids / Weights : 8500LBS

Rev
0