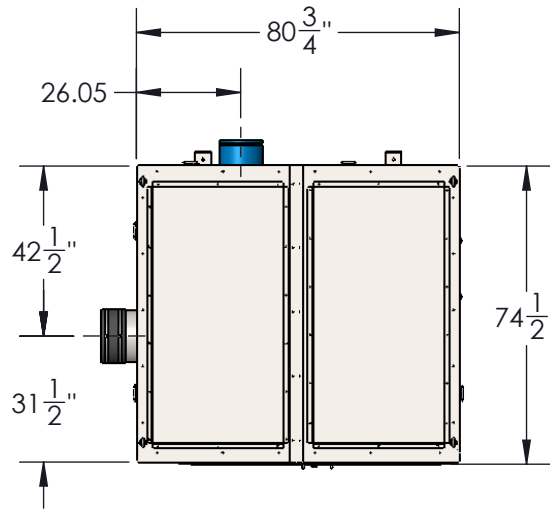
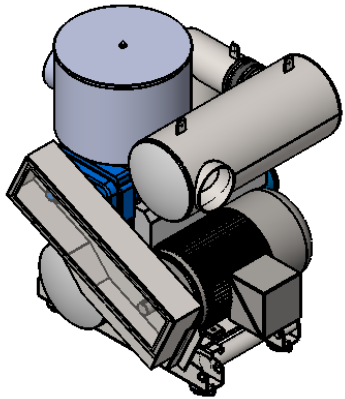
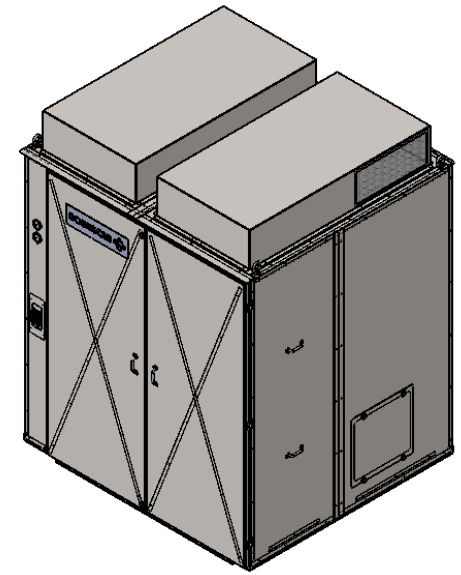


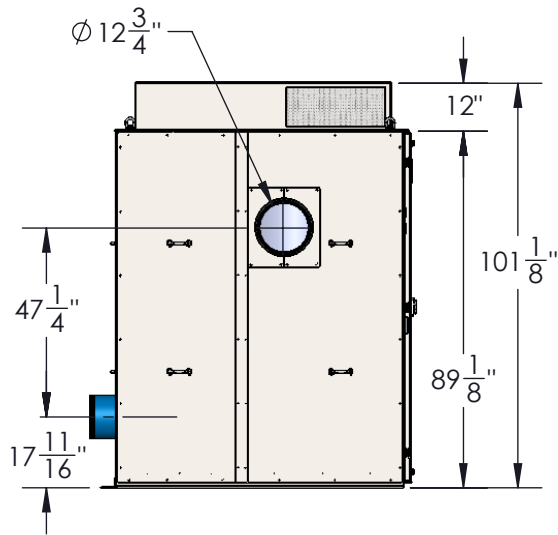
OUR WORK ORDER No.	MG
CUSTOMER:	--
CUSTOMER ORDER:	--
PROJECT:	--
DESTINATION:	--
APPLICATION:	--



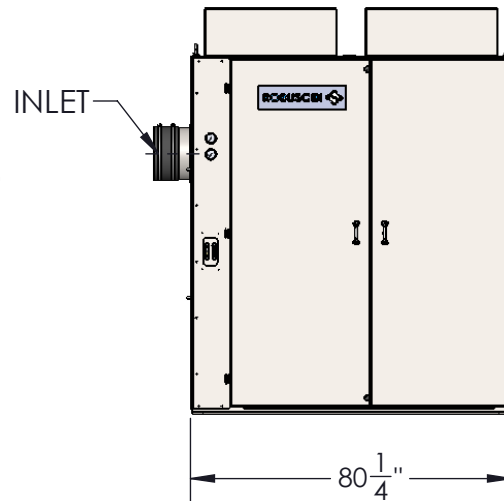
TOP VIEW



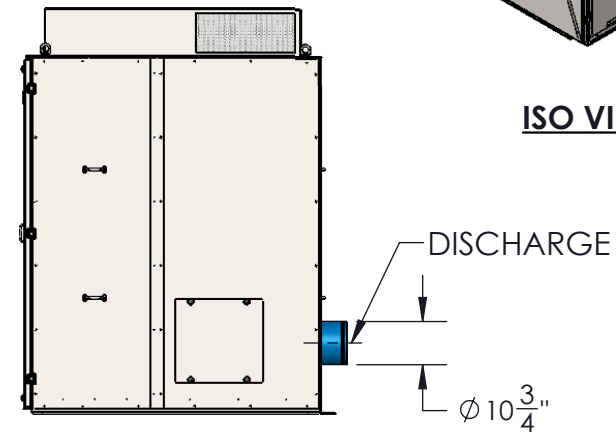
ISO VIEW



LEFT VIEW



FRONT VIEW



RIGHT VIEW

NOTES:

1. DIMENSIONS ARE IN INCHES AND MILLIMETERS AND ARE SUBJECT TO CHANGE WITHOUT NOTICE.
2. ITEMS IN DOTTED LINES ARE SUPPLIED BY OTHERS.
3. DN1, DN2 (IPS-CD40).
4. * APPROXIMATED WEIGHT 8600 LBS./ 3910 KG..
5. STRUCTURAL SURFACES WILL BE CLEANED IN ACCORDANCE WITH SSPC-SP3 FOLLOWED BY THE APPLICATION OF ONE COAT OF GLOSS URETHANE ROYAL BLEU (BRAND CODE:114023 CPC).
6. FAN P 18-RA, MOTOR 3/4 HP, 120/1/60.
7. INCLUDE A GROUNDING LUG SUITABLE FOR 4/0 CABLE.



TOLÉRANCES GÉNÉRALES, SAUF INDICATION CONTRAIRE
GENERAL TOLERANCES, UNLESS NOTED OTHERWISE

IMPÉR.	MÉTR.
FRACTION: ±1/16"	±2.0mm
DECIMAL/DECIMAL: ±0.015"	±0.5mm
ANGULAIRE/ANGLE: ±1°	±1°

CE DESSIN EST LA PROPRIÉTÉ EXCLUSIVE DE SURPRESSEUR 4S
THIS DRAWING IS THE EXCLUSIVE PROPERTY OF SURPRESSEUR 4S

CONCEPTEUR / DESIGNER VB	DATE 22.01.2016
VERIFIE PAR / CHECKED BY D.L.	DATE 24.02.2016
ECHELLE / SCALE: 1:48	FORMAT A

DESCRIPTION :
ROBOX-4 DV
ES_EL_125 / 4 DV-200HP

Référence /
References : --

Trailer par /
Process by : ASS

Poids /
Weights : 8404

101, DE L'ISERE CANDIAC, QC, CANADA
J5R 0M6, TEL.: 450-619-6363, FAX.: 450-619-9696



DESSIN NO / DRAWING NO :

ES_EL_125_200HP_4DV

FEUILLE
SHEET
1/3

Rev
1