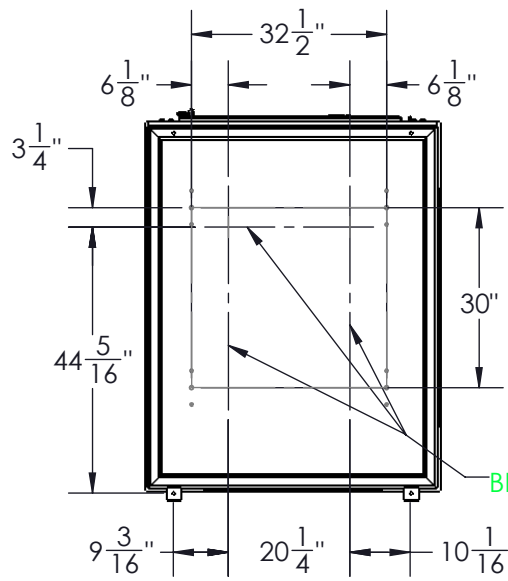
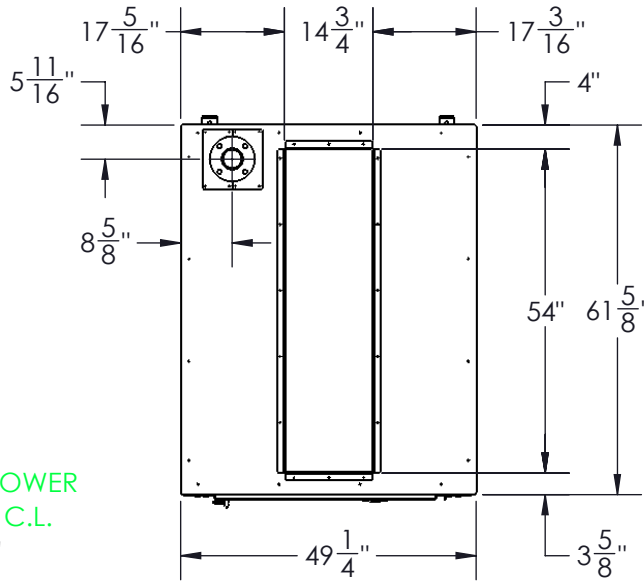


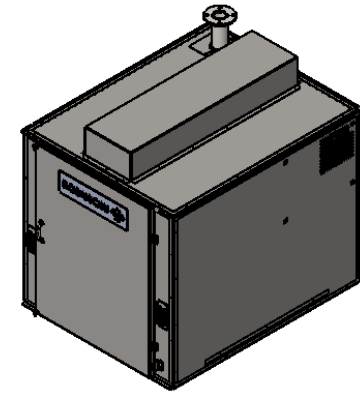
CUSTOMER ORDER:	--
PROJECT:	--
DESTINATION:	--
APPLICATION:	--
OUR WORK ORDER No.	--
CUSTOMER:	--



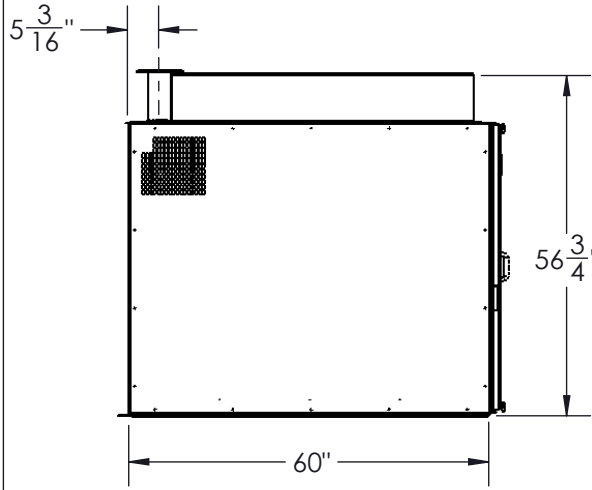
BOTTOM VIEW



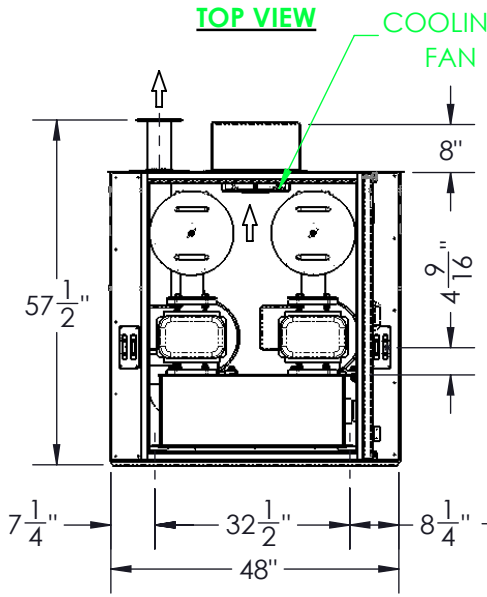
TOP VIEW



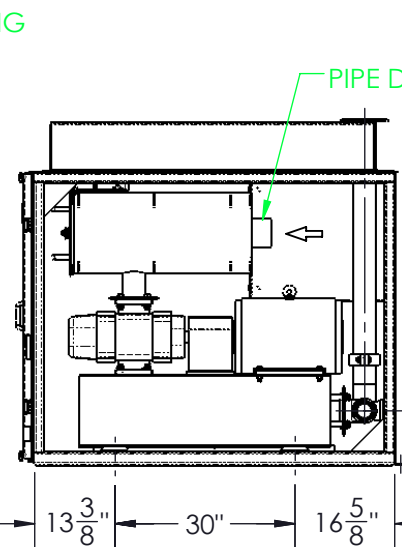
ISO VIEW



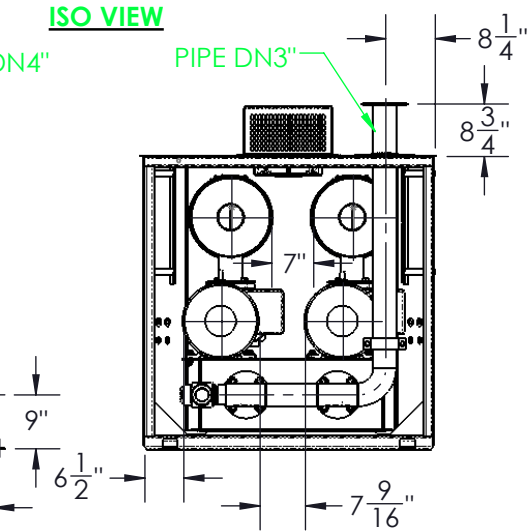
LEFT VIEW



FRONT VIEW




RIGHT VIEW



BACK VIEW

1. DIMENSIONS ARE IN INCHES AND MILLIMETERS AND ARE SUBJECT TO CHANGE WITHOUT NOTICE.
2. ITEMS IN DOTTED LINES ARE SUPPLIED BY OTHERS.
3. DN3", DN4" (IPS-CD40).
4. * APPROXIMATED WEIGHT LESS MOTOR-2551 LBS./ 1158 KG..
5. STRUCTURAL SURFACES WILL BE CLEANED IN ACCORDANCE WITH SSPC-SP3 STANDARDS, FOLLOWED BY THE APPLICATION OF ONE COAT OF GLOSS ENAMEL EUCALYPTUS GREEN MET (BRAND CODE: 47122, CODE OEM: 235, 235B).
6. INCLUDE A GROUNDING LUG SUITABLE FOR 4/0 CABLE.

	TOLÉRANCES GÉNÉRALES, SAUF INDICATION CONTRAIRE GENERAL TOLERANCES, UNLESS NOTED OTHERWISE	CE DESSIN EST LA PROPRIÉTÉ EXCLUSIVE DE SURPRESSEUR 4S THIS DRAWING IS THE EXCLUSIVE PROPERTY OF SURPRESSEUR 4S		Description : ROBOX-2P / GENERAL ARRANGEMENT	
	IMPÉRIAL MÉTRIQUE FRACTION: ±1/16" ±2.0mm DECIMAL/DECIMAL: ±0.015" ±0.5mm ANGULAIRE/ANGLE: ±1° ±1°	CONCEPTEUR / DESIGNER V.B./S.S. DATE 2015/12/04	VERIFIÉ PAR / CHECKED BY D.L. DATE 2015/12/09		RBS-45 -- --
	ECHELLE / SCALE: 1:32	FORMAT A	DESSIN NO / DRAWING NO : ES_EL45_2P_II_DD		FEUILLE SHEET 1/1
Référence / References : --	Trailer par / ASS Process by :	Poids / Weights : 2967 Lbs.	101, DE L'ISERE CANDIAC, QC., CANADA JSR 0M6, TEL.: 450-619-6363, FAX.: 450-619-9696		Rev 0